

↔ DOMETIC

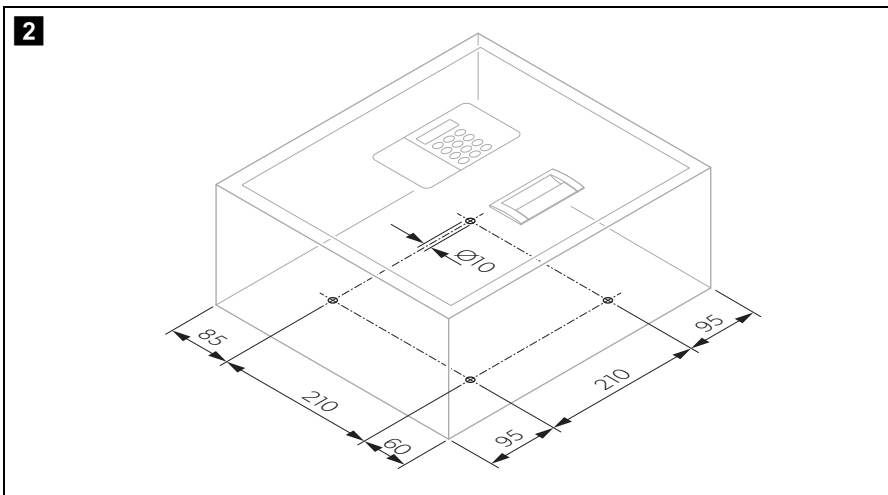
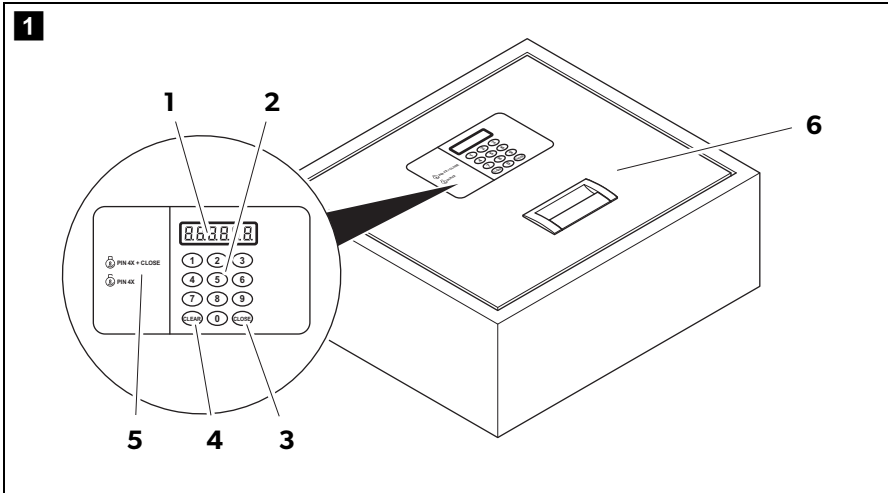
SAFETY SOLUTIONS

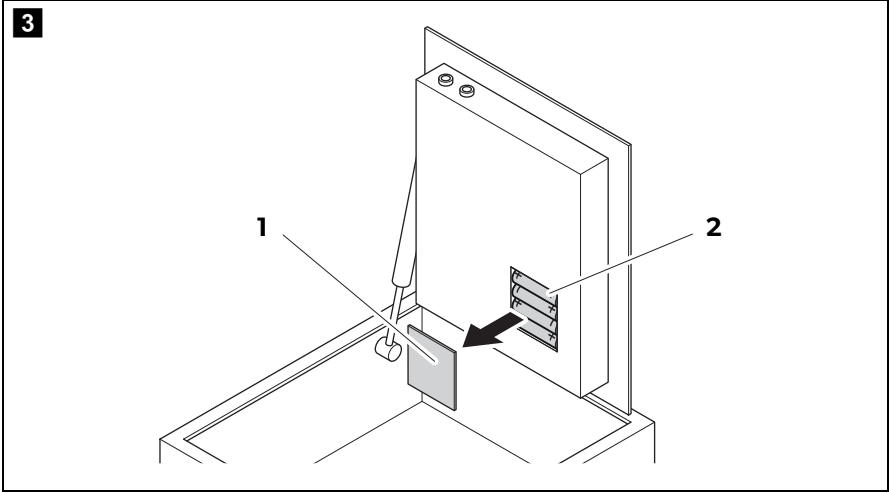
XSAFE



MDT 400X

EN	Electronic safe for hotels Installation and Operating Manual 4	DA	Elektronisk safe til hoteller Monterings- og betjeningsvejledning 81
DE	Elektronischer Hotelsafe Montage- und Bedienungsanleitung 15	SV	Elektroniskt kassaskåp för hotell Monterings- och bruksanvisning 92
FR	Coffre-fort électronique pour hôtels Instructions de montage et de service 26	NO	Elektronisk safe for hoteller Monterings- og bruksanvisning 103
ES	Caja fuerte electrónica para hoteles Instrucciones de montaje y de uso 37	FI	Elektroninen tallelokeron hotellikäyttöön Asennus- ja käyttöohje 114
PT	Cofre eletrônico para hotéis Instruções de montagem e manual de instruções 48	RU	Электронные сейфы для отелей Инструкция по монтажу и эксплуатации 125
IT	Cassaforte elettronica per hotel Istruzioni di montaggio e d'uso 59	PL	Elektroniczny sejf dla hoteli Instrukcja montażu i obsługi 136
NL	Elektronische kluis voor hotels Montagehandleiding en gebruiksaanwijzing 70	SK	Elektronický trezor pre hotely Návod na montáž a uvedenie do prevádzky 147
		CS	Elektronický trezor pro hotel Návod k montáži a obsluze 158
		HU	Elektronikus hotelszéfek Szerelési és használati útmutató 169





Please read this instruction manual carefully before installation and first use, and store it in a safe place. If you pass on the product to another person, hand over this instruction manual along with it.

Table of contents

1	Explanation of symbols	5
2	Safety instructions	5
3	Scope of delivery	6
4	Accessories	6
5	Intended use	6
6	Technical description	6
7	Installing the safe	7
8	Using the safe	8
9	Replacing the batteries	12
10	Display messages	12
11	Troubleshooting	13
12	Maintaining and cleaning the safe	13
13	Warranty	14
14	Disposal	14
15	Technical data	14

1 Explanation of symbols

**WARNING!**

Safety instruction: Failure to observe this instruction can cause fatal or serious injury.

**NOTICE!**

Failure to observe this instruction can cause material damage and impair the function of the product.

**NOTE**

Supplementary information for operating the product.

2 Safety instructions

The manufacturer accepts no liability for damage in the following cases:

- Damage to the product resulting from mechanical influences
- Alterations to the product without express permission from the manufacturer
- Use for purposes other than those described in the operating manual

**WARNING!**

- This device can be used by children aged 8 years or over, as well as by persons with diminished physical, sensory or mental capacities or a lack of experience and knowledge, providing they are supervised, or have been taught how to use the device safely and are aware of the resulting risks.
- Only use the product as intended.
- Do not make any modifications or alterations to the product.

**NOTICE!**

- No unauthorised persons should have access to the master key and the master code. Keep the master key very carefully in a safe place.

3 Scope of delivery

Quantity	Description
1	Safe
1	Master key (in separate delivery)
1	Installation and operating manual (on request)

4 Accessories

Available as accessories (not included in the scope of delivery):

Description	Ref. no.
Mounting kit	9106600005

5 Intended use

MDT400X is a hotel safe in which guests can securely lock away their valuables.

6 Technical description

The control panel has a display and a key pad for entering the code. For emergency opening you can use the master key and a master code.

The model can be identified from the type plate.

6.1 Control elements

No. in fig. 1, page 2	Description
1	Display
2	Number keys
3	CLOSE button Closes the safe lock after the code is entered
4	CLEAR button Deletes the last position of the code
5	Lock for master key (behind cover)
6	Locking mechanism cover

7 Installing the safe

7.1 Notes on installation



NOTICE!

The safe must only be installed by qualified specialists.

Follow the instructions when installing.

- Carefully check the safe for damage once you have removed it from the packaging. If there is visible damage, contact the manufacturer (see rear of safe for addresses).
- Install the safe on a flat and even surface.
- Select a location for installation which is a sufficient distance from heat sources (e.g. radiators). Avoid installing in locations with temperatures of under 0 °C and over 45 °C.
- Avoid damp ambient conditions (e.g. in the bathroom and swimming pool) to avoid condensation forming in the device.
- Select a fastening material (screws with plugs, if necessary) which is appropriate for the installation location.

7.2 Attaching the safe

- Select a suitable installation location.
- Select an appropriate method for installation (attachment on the underside).
- Mark the drill holes at the bottom (fig. **2**, page 2).
- Drill the holes in the installation location (e.g. in the wall or cupboard).
- Attach the safe with a suitable fastening material.

8 Using the safe

8.1 Initial start-up

- Remove the cover (fig. **3** 1, page 3) of the battery compartment.
- Insert four AA batteries in the battery compartment (fig. **3** 2, page 3).
- Put the cover back on the battery compartment.

8.2 Hiding/displaying the code

The code can be displayed or hidden while it is being entered.

- Press the **CLEAR** button twice.
- Press the **CLOSE** button.
- ✓ Depending on the previous status, the code is displayed or hidden while entering.

8.3 Operating functions for users

Locking the safe

- Press the **CLOSE** button within 10 minutes of opening in order to keep the code you entered.
- ✓ The display first shows **CLOSE**, then **CLOSED**.

Entering a new code



- Enter a four-digit code.
- Press the **CLOSE** button.
- ✓ The display first shows **CLOSE**, then **CLOSED**.

Opening the safe



- Enter the correct four-digit code.
- ✓ The code entered is shown in the display.
- ✓ The safe will open.
- ✓ The display first shows **OPEN**, then **OPENED**.



NOTE

If an incorrect code is entered, the **E-CODE** message appears on the display.

After five incorrect attempts, the safe lock will remain blocked for 15 minutes and no further entries are possible. As soon as you press a button, the **HOLD** message appears on the display, followed by the remaining time in minutes.

8.4 Opening the safe using the master code

The master code is necessary if guests have left the safe locked or have forgotten their code.

Opening safe with the master code



- Enter the correct six digit master code.
- ✓ The display shows the message **OPEN**.
- ✓ The door opens.

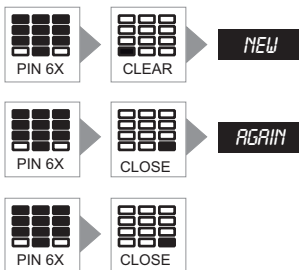
Changing the master code



NOTICE!

- If you forget your master code, nobody can access the safe any more (not even the manufacturer). **No** resetting, or similar action, is possible.
- Therefore note down the master code and store it very carefully in a safe location.
- The safe has a factory setting code. We strongly recommend that you change this code for security reasons.

You can change the factory setting code (888888). The safe must be **opened** for this.



- Enter the correct six digit master code.
- Press the **CLEAR** button.
- ✓ The display shows the message **NEW**.

- Enter a new six digit master code.
- Press the **CLOSE** button.
- ✓ The display shows the message **AGAIN**.

- Repeat the entry of the new six digit master code.
- Press the **CLOSE** button again.
- ✓ The safe confirms the change of the master code with the message **DONE**.

8.5 Opening the safe with the master key



NOTICE!

Only authorised persons must have access to the master key. Keep the master key very carefully in a safe place.

The safe can be opened in all eventualities with the master key, even in the event of an electronic fault.

- Remove the instruction sticker which conceals the key hole (fig. **1** 5, page 2).
- Insert the master key into the lock.
- Open the safe by turning the master key 90° to the right until the bolts slide completely home.
- ✓ The bolts extend mechanically.

Emergency opening with the master key giving a new user code

- Remove the instruction sticker which conceals the key hole (fig. **1** 5, page 2).
- Put the master key into the key hole.
- Open the safe by turning the master key 90° to the right until the bolts slide completely home.
- Keep the master key in this position and open the door.
- Enter a new four digit code.
- Press the **CLOSE** button.
- ✓ The display shows the message **CLOSED**.
- ✓ The display shows the message **E-RUN**.

- Close the safe door.
- Remove the master key.

9 Replacing the batteries

The batteries must be replaced after no later than one year. The batteries must also be replaced immediately if the “**LO-BAT**” symbol is shown on the display.



NOTE

- Use four alkaline AA/LR6 batteries (1.5 V).
- Pay attention to the polarity.
- Always change all batteries at the same time.

- Remove the cover (fig. **3** 1, page 3).
- Remove the four used batteries from the battery compartment (fig. **3** 2, page 3).
- Insert four new AA batteries into the battery compartment (fig. **3** 2, page 3).
- Put the cover (fig. **3** 1, page 3) back on the battery compartment.

10 Display messages

Event	Display	Signal tone
Press CLEAR		1 beep
Press CLOSE		1 beep
Enter the guest's code to open the safe	OPEN + OPENED	2 beeps
Enter the guest's code to lock the safe	CLOSE + CLOSED	1 beep
Incorrect sequence or code	E-CODE	3 beeps
Enter a new master code	NEW	
Enter a new master code again	AGAIN	
After changing the master code	DONE	1 beep
Low battery	LO-BAT	
3 x incorrect code	HOLD15	3 beeps
Locking mechanism blocks when opening	E-RUN	2 beeps
Locking mechanism blocks when closing	B-LOC	2 beeps

11 Troubleshooting

If you are unable to rectify the fault, get in touch with the manufacturer.

Display	Problem	Possible cause	Suggested remedy
LO-BAT	The safe lock does not close.	The battery is low.	➤ Replace the batteries.
E-CODE	You will hear three short audible signals.	Incorrect code	➤ Enter the correct code.
		Incorrect master code	➤ Enter the correct master code.
HOLD15	Two short audible signals sound whenever any button is pressed.	The safe lock is blocked once an incorrect code has been entered three times.	➤ Wait for 15 minutes without pressing any buttons. The lock is deactivated after this 15 minute waiting period.
			➤ Enter the correct code. or
			➤ Open the door with the master code. or ➤ Open the door mechanically with the master key.

12 Maintaining and cleaning the safe



NOTICE!

Do not use sharp or hard objects or cleaning agents for cleaning as these may damage the product.

- Occasionally clean the product with a damp cloth.

13 Warranty

The statutory warranty period applies. If the product is defective, please contact the service partner in your country (addresses on the back on the instruction manual).

Our experts will be happy to help you and will discuss the warranty process with you in more detail.

14 Disposal

- Place the packaging material in the appropriate recycling waste bins wherever possible.



If you wish to finally dispose of the product, ask your local recycling centre or specialist dealer for details about how to do this in accordance with the applicable disposal regulations.



Protect the environment!

Do not dispose of any batteries with general household waste. Return defective or used batteries to your retailer or dispose of them at collection points.

15 Technical data

	XSafe MDT400X
Ref. no.:	9106601394
Content:	8.5 l
External dimensions H x W x D:	130 x 400 x 350 mm
Gross weight:	10 kg
Net weight:	9 kg
Battery type:	4 AA/LR6 batteries (1.5 V)

GERMANY**Domestic WAECO International GmbH**

Hollefeldstraße 63 · D-48282 Emsdetten
 ☎ +49 (0) 2572 879-195 · 📠 +49 (0) 2572 879-322
 Mail: info@domestic-waeco.de

www.domestic.com

**AUSTRALIA****Domestic Australia Pty. Ltd.**

1 John Duncan Court
 Varsity Lakes QLD 4227
 ☎ 1800 212121
 📠 +61 7 55076001
 Mail: sales@domestic.com.au

AUSTRIA**Domestic Austria GmbH**

Neudorferstraße 108
 A-2353 Guntramsdorf
 ☎ +43 2236 908070
 📠 +43 2236 90807060
 Mail: info@domestic.at

BENELUX**Domestic Branch Office Belgium**

Zincstraat 3
 B-1500 Halle
 ☎ +32 2 3598040
 📠 +32 2 3598050
 Mail: info@domestic.be

BRAZIL**Domestic DO Brasil LTDA**

Avenida Paulista 1754, conj. 111
 SP 01310-920 Sao Paulo
 ☎ +55 11 3251 3352
 📠 +55 11 3251 3362
 Mail: info@domestic.com.br

DENMARK**Domestic Denmark A/S**

Nordensvej 15, Taulov
 DK-7000 Fredericia
 ☎ +45 75585966
 📠 +45 75586307
 Mail: info@domestic.dk

FINLAND**Domestic Finland OY**

Mestariitie 4
 FIN-01730 Vantaa
 ☎ +358 20 7413220
 📠 +358 9 7593700
 Mail: info@domestic.fi

FRANCE**Domestic SAS**

ZA du Pré de la Dame Jeanne
 B.P. 5
 F-60128 Plessilly
 ☎ +33 3 44633525
 📠 +33 3 44633518
 Mail: vehiculesdeloisirs@domestic.fr

HONG KONG**Domestic Group Asia Pacific**

Suites 2207-11 / 22/F - Tower 1
 The Gateway - 25 Canton Road,
 Tsim Sha Tsui - Kowloon
 ☎ +852 2 4611386
 📠 +852 2 4665553
 Mail: info@waeco.com.hk

HUNGARY**Domestic Zrt. Sales Office**

Kerekgyártó u. 5.
 H-1147 Budapest
 ☎ +36 1 468 4400
 📠 +36 1 468 4401
 Mail: budapest@domestic.hu

ITALY**Domestic Italy S.r.l.**

Via Virgilio, 3
 I-47122 Forlì (FC)
 ☎ +39 0543 754901
 📠 +39 0543 754983
 Mail: vendite@domestic.it

JAPAN**Domestic KK**

Maekawa-Shibaura, Bldg. 2
 2-13-9 Shibaura Minato-ku
 Tokyo 108-0023
 ☎ +81 3 5445 3333
 📠 +81 3 5445 3339
 Mail: info@domestic.jp

MEXICO**Domestic Mx, S. de R. L. de C. V.**

Circuito Médicos No. 6 Local 1
 Colonia Ciudad Satélite
 CP 53100 Naucalpan de Juárez
 Estado de México
 ☎ +52 55 5374 4108
 📠 +52 55 5393 4683
 Mail: info@domestic.com.mx

NETHERLANDS**Domestic Benelux B.V.**

Ecustraet 3
 NL-4879 NP Etten-Leur
 ☎ +31 76 5029000
 📠 +31 76 5029019
 Mail: info@domestic.nl

NEW ZEALAND**Domestic New Zealand Ltd.**

Unite E, The Gate
 373 Neilson Street
 Penrose 1, Auckland
 ☎ +64 9 622 1490
 📠 +64 9 622 1573
 Mail: customerservices@domestic.co.nz

NORWAY**Domestic Norway AS**

Østerøyveien 46
 N-3232 Sandefjord
 ☎ +47 33428450
 📠 +47 33428459
 Mail: firmapost@domestic.no

POLAND**Domestic Poland Sp. z o.o.**

Ul. Puławska 435A
 PL-02-801 Warszawa
 ☎ +48 22 414 3200
 📠 +48 22 414 3201
 Mail: info@domestic.pl

PORTUGAL**Domestic Spain, S.L.**

Branch Office em Portugal
 Rot. de São Gonçalo nº 1 – Esc. 12
 2775-399 Carcavelos
 ☎ +351 219 244 173
 📠 +351 219 243 206
 Mail: info@domestic.pt

RUSSIA**Domestic RUS LLC**

Komsomolskaya square 6-1
 RU-107140 Moscow
 ☎ +7 495 780 79 39
 📠 +7 495 916 56 53
 Mail: info@domestic.ru

SINGAPORE**Domestic Pte Ltd**

18 Boon Lay Way 06-140 Trade Hub 21
 Singapore 609966
 ☎ +65 6795 3177
 📠 +65 6862 6620
 Mail: domestic@domestic.com.sg

SLOVAKIA**Domestic Slovakia s.r.o. Sales Office Bratislava**

Nádražná 34/A
 900 28 Ivanka pri Dunaji
 ☎/📠 +421 2 45 529 680
 Mail: bratislava@domestic.com

SOUTH AFRICA**Domestic (Pty) Ltd.****Regional Office****South Africa & Sub-Saharan Africa**

2 Avalon Road
 West Lake View Ext 11
 Modderfontein 1645
 Johannesburg
 ☎ +27 11 4504978
 📠 +27 11 4504976
 Mail: info@domestic.co.za

SPAIN**Domestic Spain S.L.**

Avda. Sierra del Guadarrama, 16
 E-28691 Villanueva de la Cañada
 Madrid
 ☎ +34 902 111 042
 📠 +34 900 100 245
 Mail: info@domestic.es

SWEDEN**Domestic Scandinavia AB**

Gustaf Melins gata 7
 S-42131 Västra Frölunda
 ☎ +46 31 7341100
 📠 +46 31 7341101
 Mail: info@domesticgroup.se

SWITZERLAND**Domestic Switzerland AG**

Riedackerstrasse 7a
 CH-8153 Rümlang
 ☎ +41 44 8187171
 📠 +41 44 8187191
 Mail: info@domestic.ch

UNITED ARAB EMIRATES**Domestic Middle East FZCO**

P. O. Box 17860
 S-D 6, Jebel Ali Freezone
 Dubai
 ☎ +971 4 883 3858
 📠 +971 4 883 3868
 Mail: info@domestic.ae

UNITED KINGDOM**Domestic UK Ltd.**

Domestic House, The Brewery
 Blandford St. Mary
 Dorset DT11 9LS
 ☎ +44 344 626 0133
 📠 +44 344 626 0143
 Mail: customerservices@domestic.co.uk

USA**Domestic RV Division**

1120 North Main Street
 Elkhart, IN 46515
 ☎ +1 574-264-2131